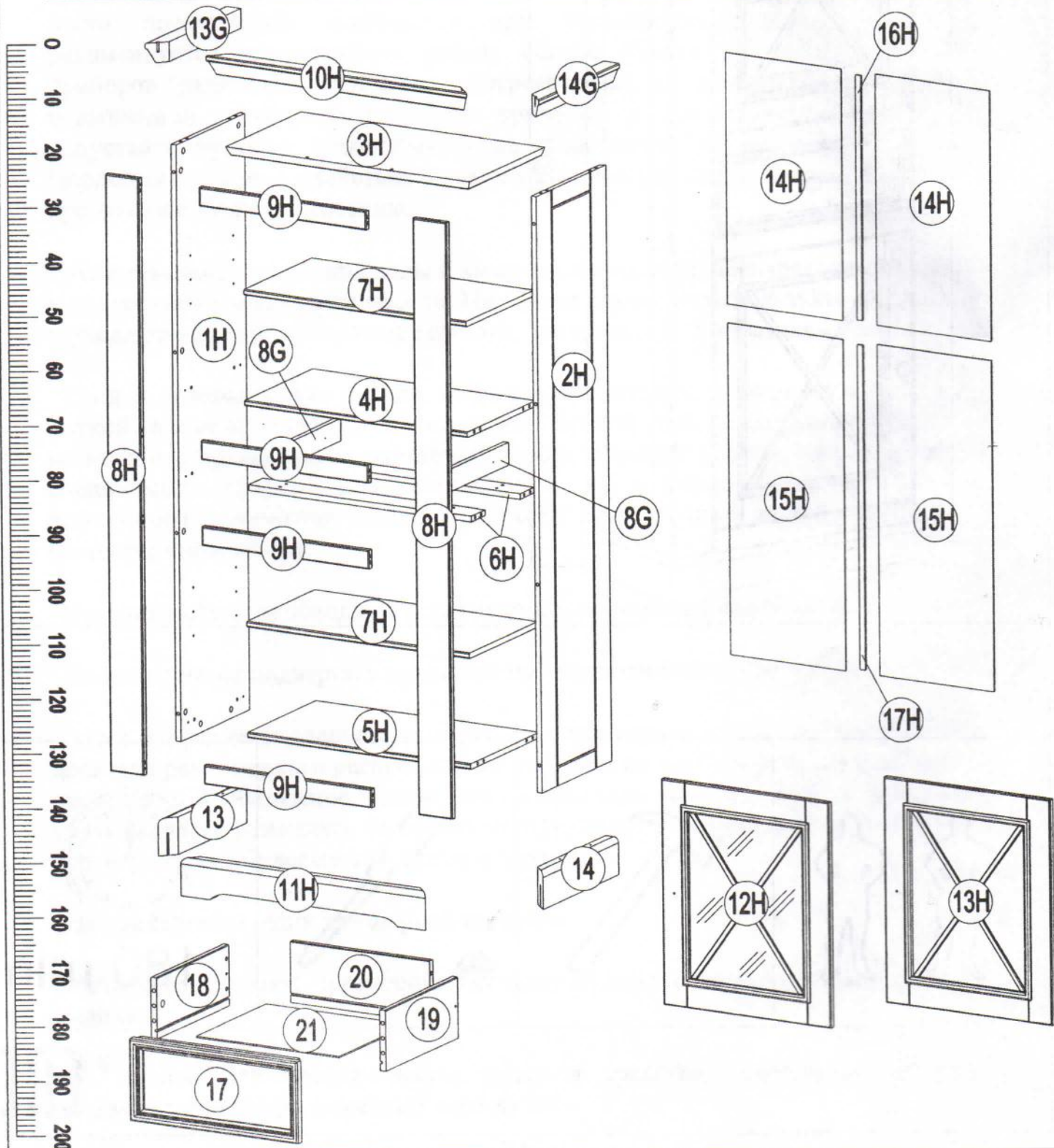
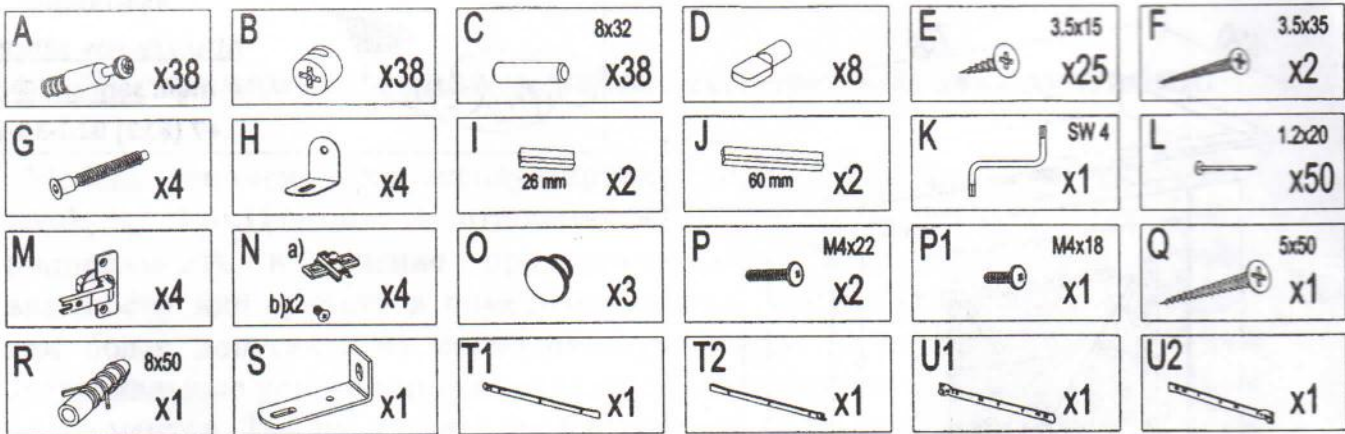
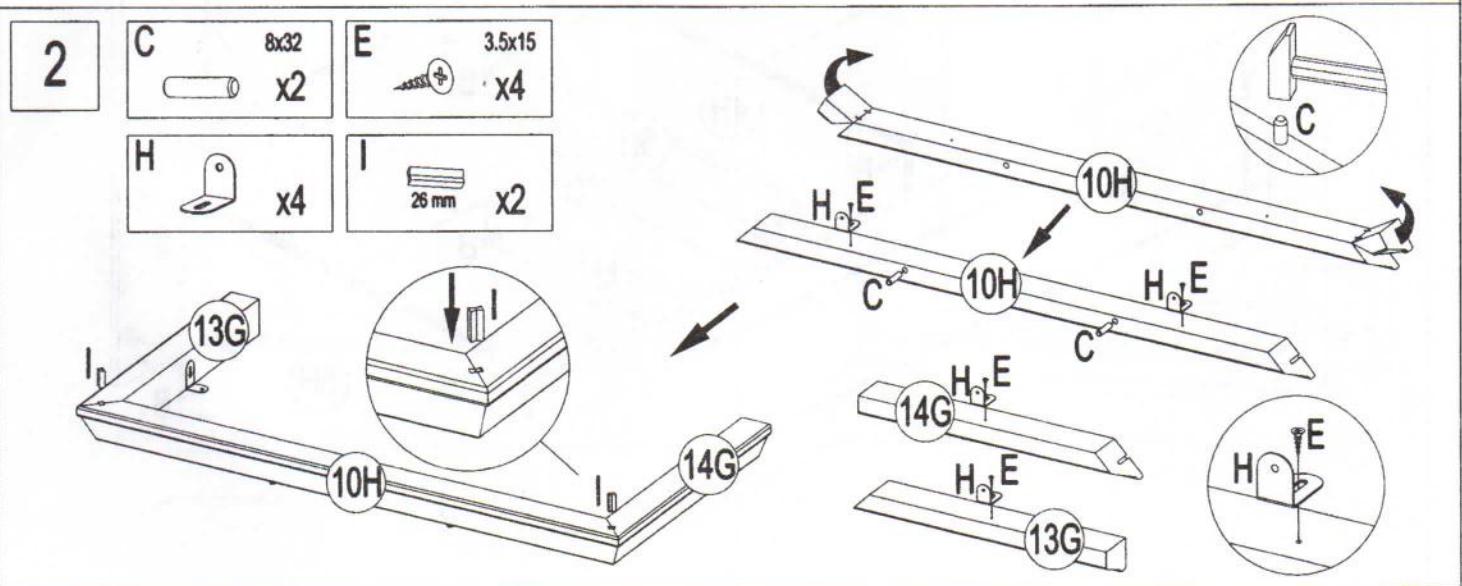
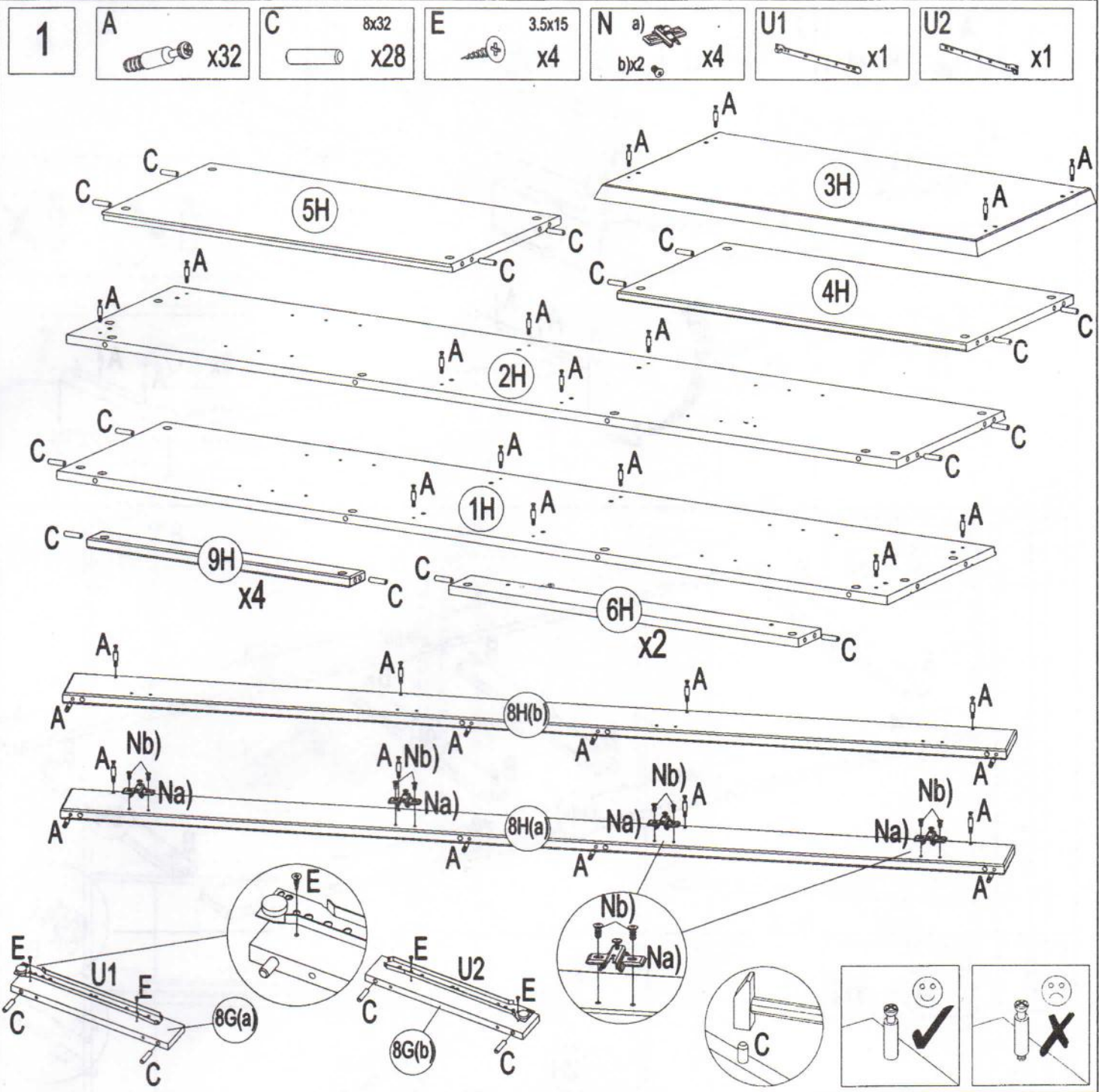
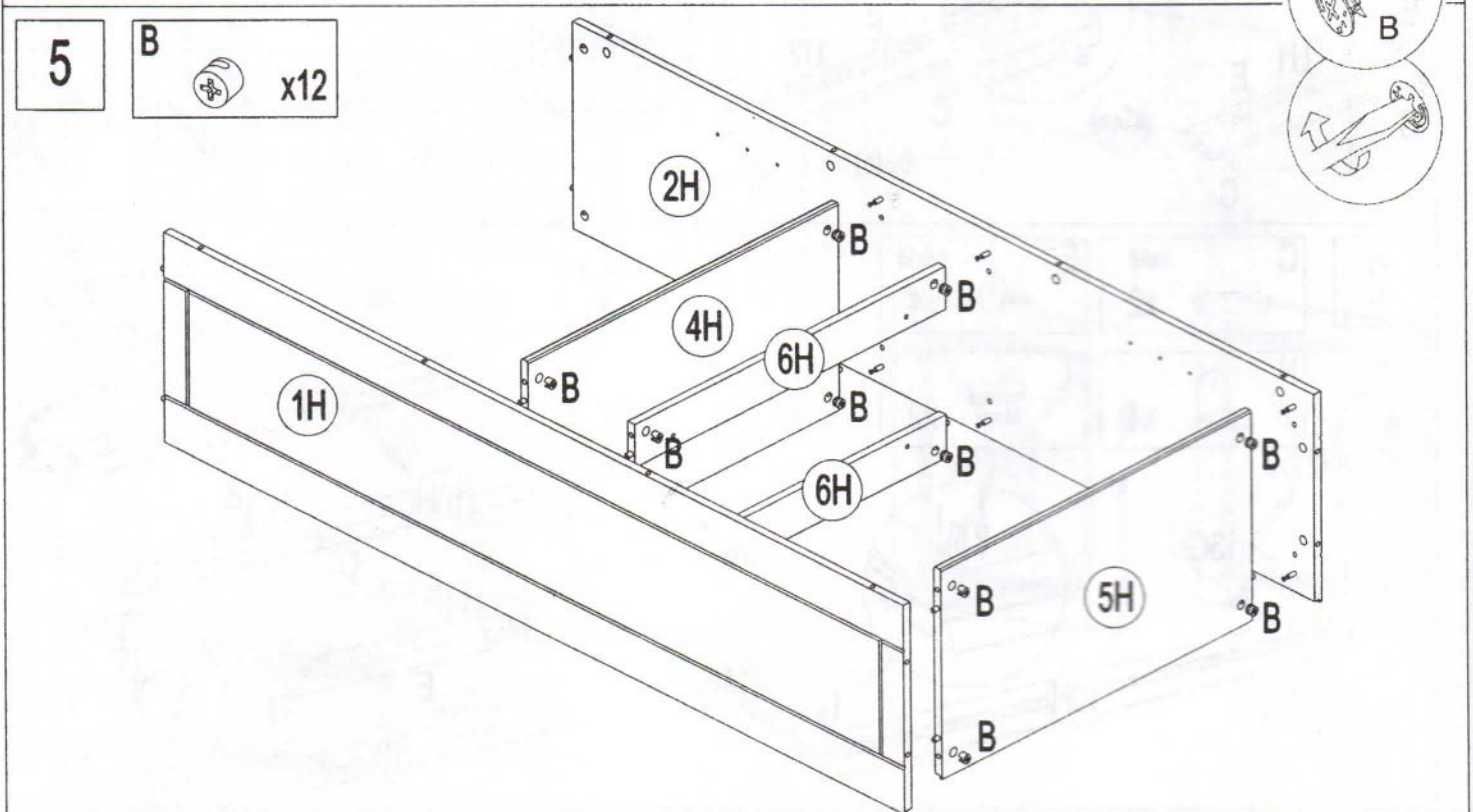
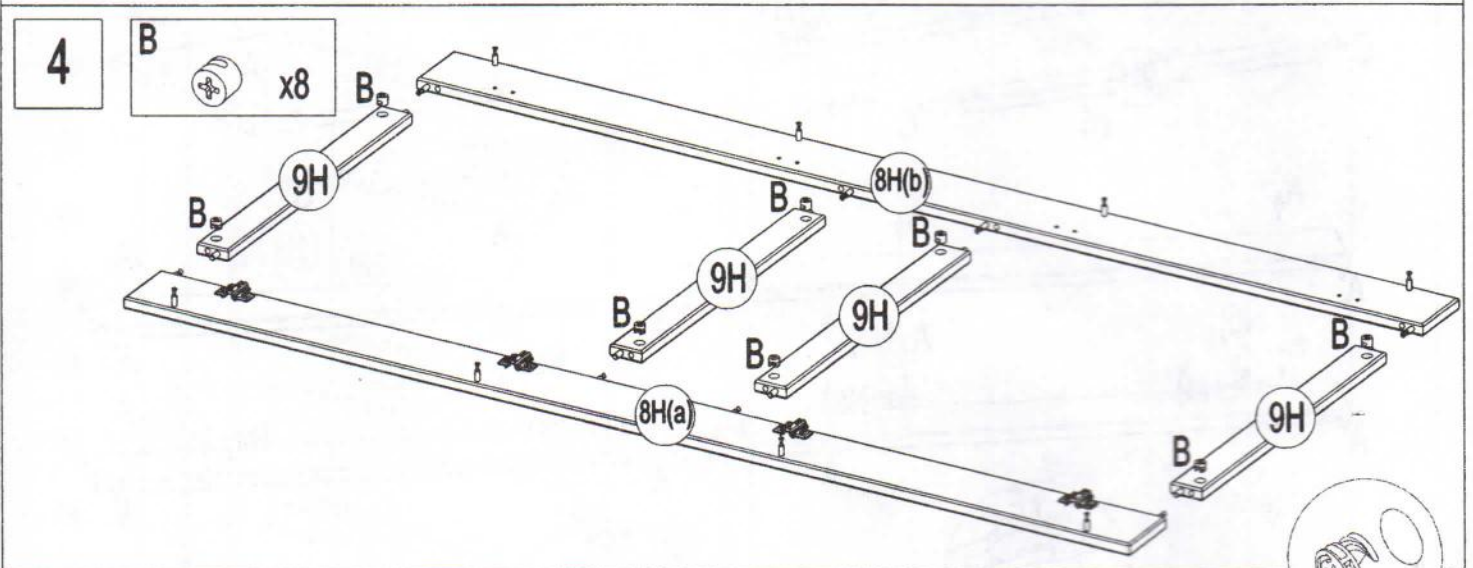
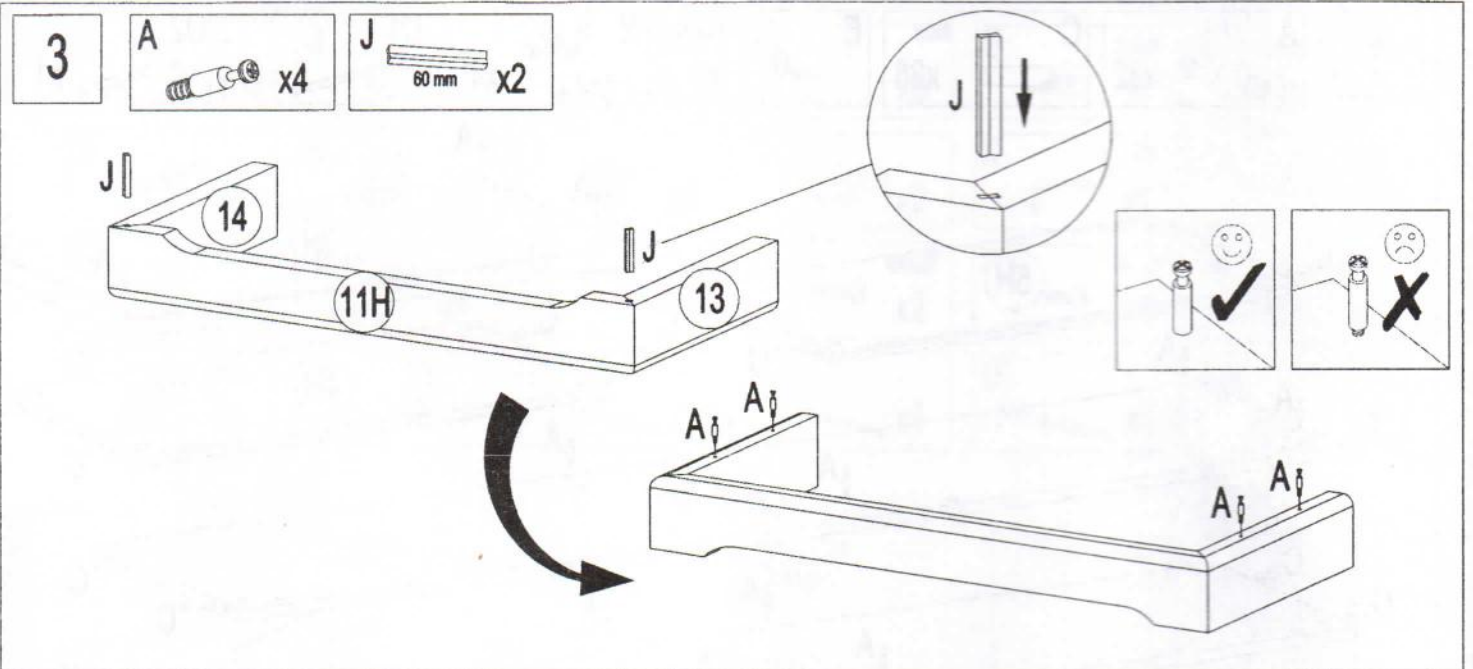


180 min

EAC

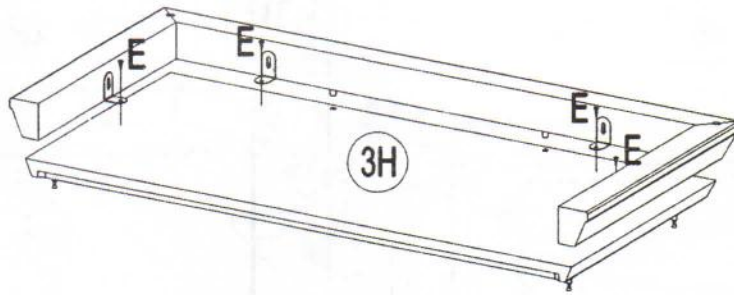






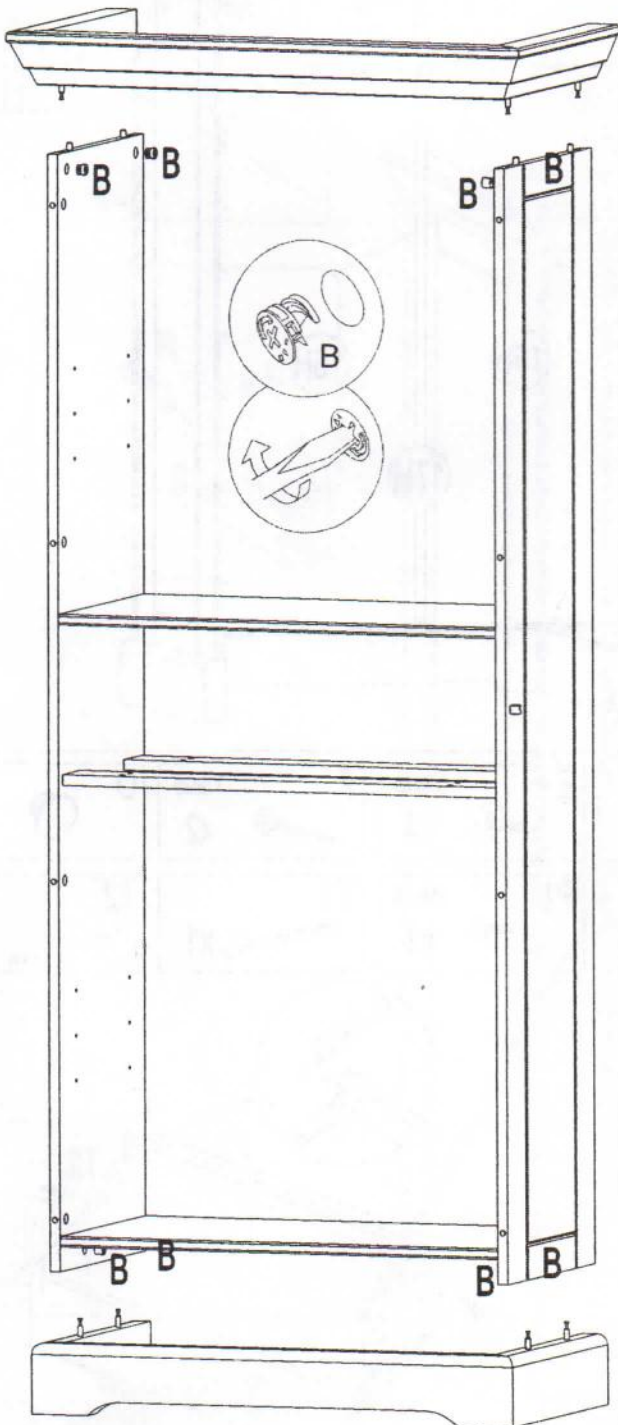
6

E 3.5x15
x4



7

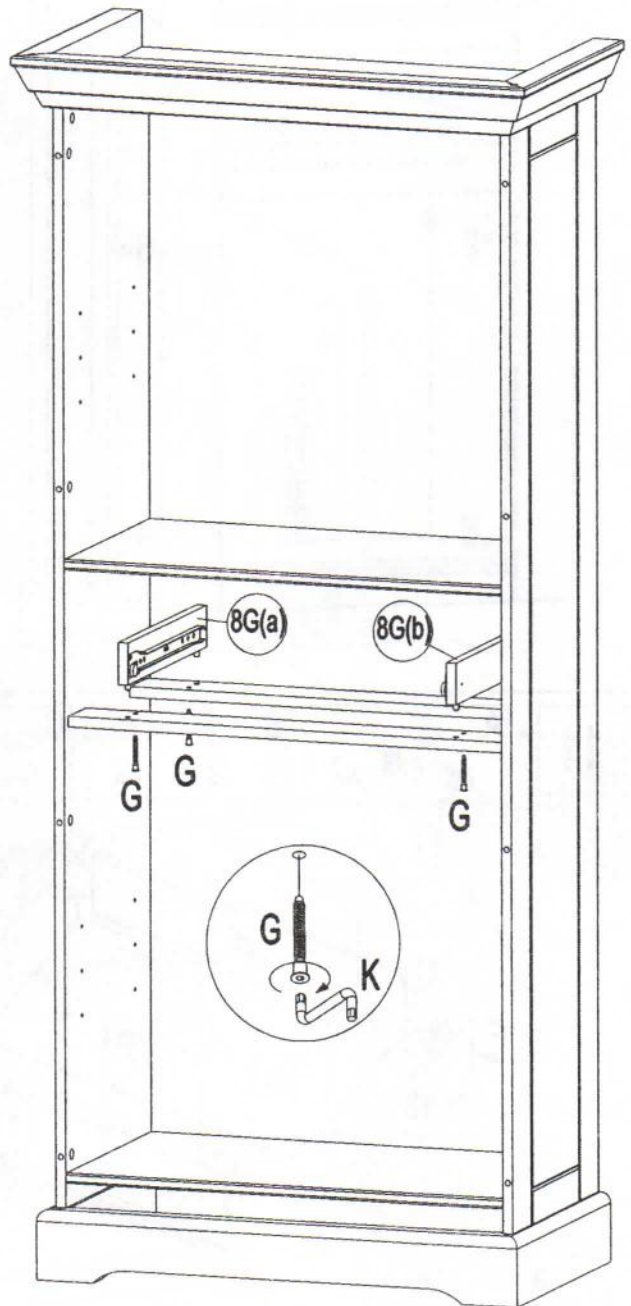
B x8



8

G x4

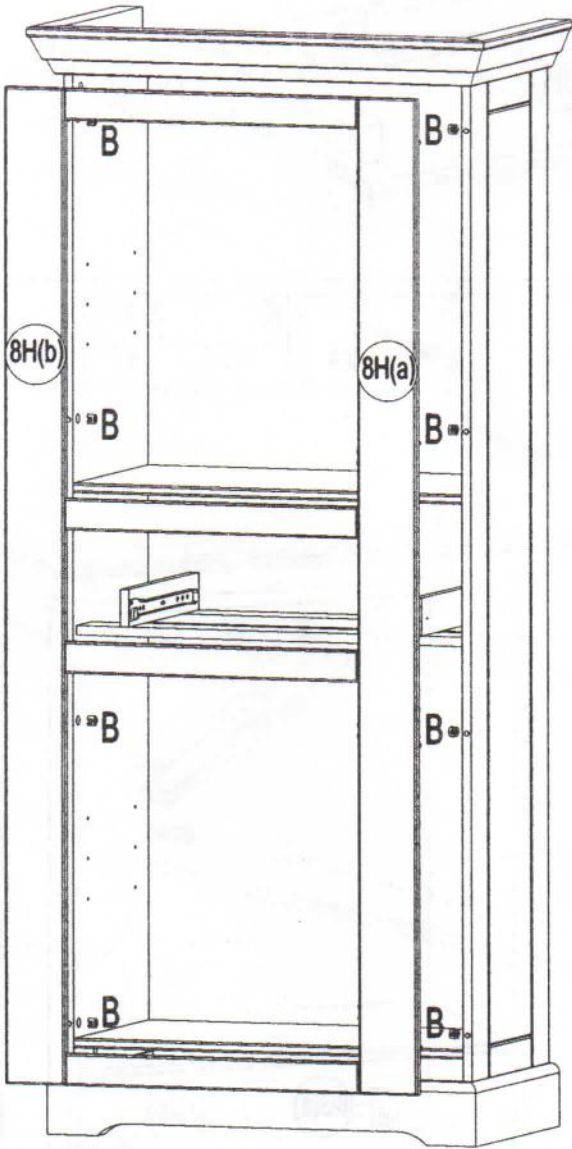
K SW4
x1



5

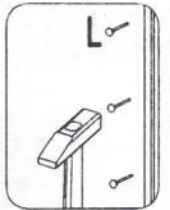
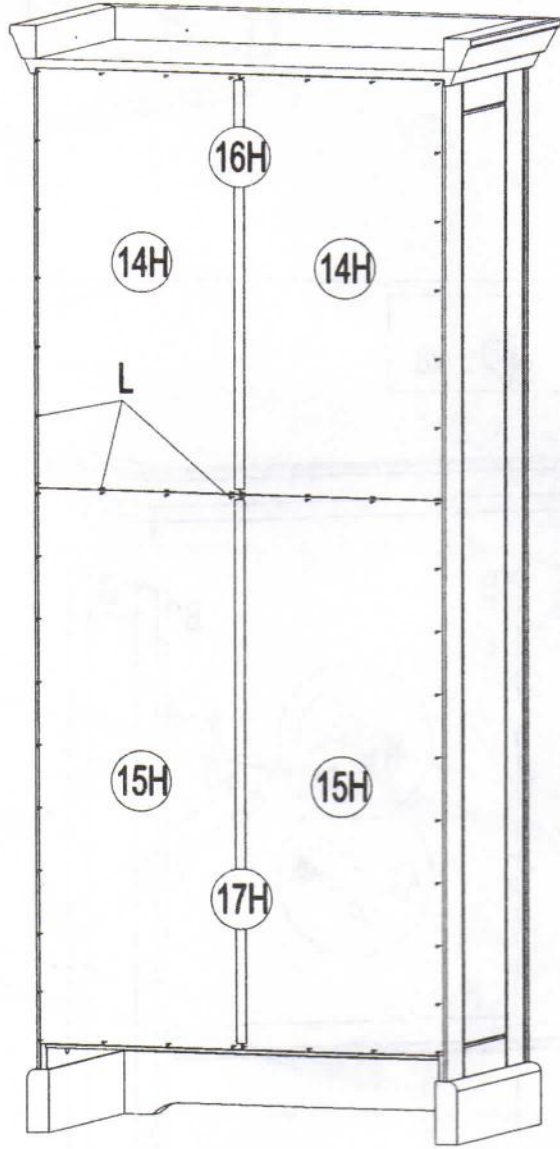
9

B x8



10

L 1.2x20 x50



11

A x2

B x2

C 8x32 x8

E 3.5x15 x4

F 3.5x35 x2

O x1

P1 M4x18 x1

T1 x1

T2 x1

